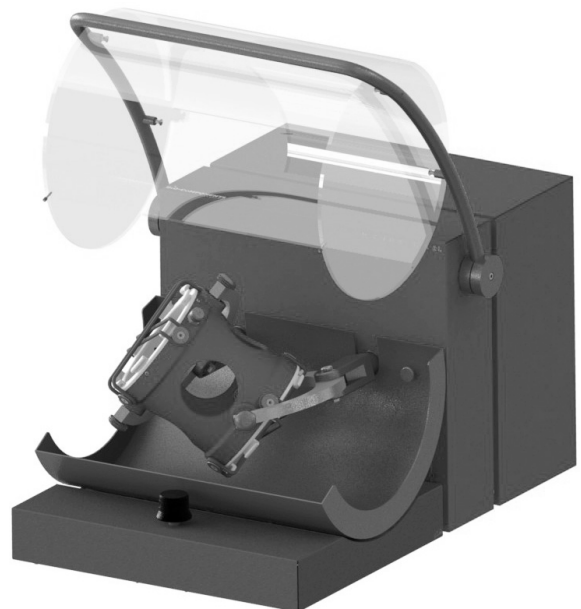


## Data sheet Inversina 2L

### Mixing of substances

(Subject to technical modification)



### Contents

Technical data	2
Dimensions	3
Loading mixing cage	4
Details for ordering	5

**Data sheet**

Inversina 2L

0540-08a TB/Reg. 11

2/5

**Technical data**

(Subject to technical modification)

Length/Width/Height	740/544/870 mm	29.1 / 21.4 / 34.3 inch
Total weight	70 kg	155 lb
Empty weight	55 kg	121 lb
Max. filling weight	15 kg	33 lb
Max. filling degree	~75%	~75%
Motor rating	80 W	80 W
Supply voltage	230 VAC	110 VAC
Frequency	50Hz	60Hz
Current	0.35 A	0.7 A
Speed range	0 ... 60 min <sup>-1</sup>	0 ... 60 rpm
Rundown time	2 ... 5s	2 ... 5s
Mixing vessel (PET)		
1.5 L	ø120 mm x H 165 mm	ø 4.72 inch x H 6.5 inch
2 L	ø120 mm x H 210 mm	ø 4.72 inch x H 8.26 inch

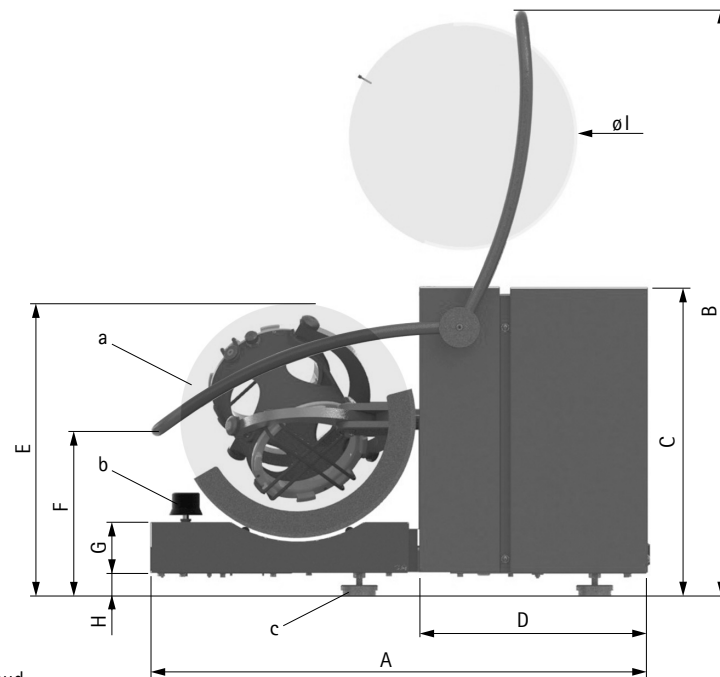
**Data sheet**

Inversina 2L

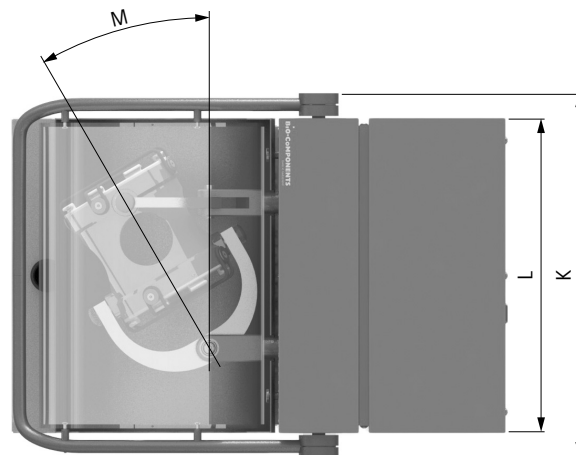
0540-08a TB/Reg. 11

3/5

**Dimensions**



- a Protective shroud
- b Control knob
- c Leveling feet



**Dimensions**

A	B	C	D	E	F
[mm] [inch]	[mm] [inch]	[mm] [inch]	[mm] [inch]	[mm] [inch]	[mm] [inch]
740 29.1	874 34.4	460 18.1	340 13.4	434 17	240 9.4
G	H	I	K	L	M
[mm] [inch]	[mm] [inch]	[mm] [inch]	[mm] [inch]	[mm] [inch]	[°]
76 3	33 1.3	ø340 13.4	544 21.4	470 18.5	30

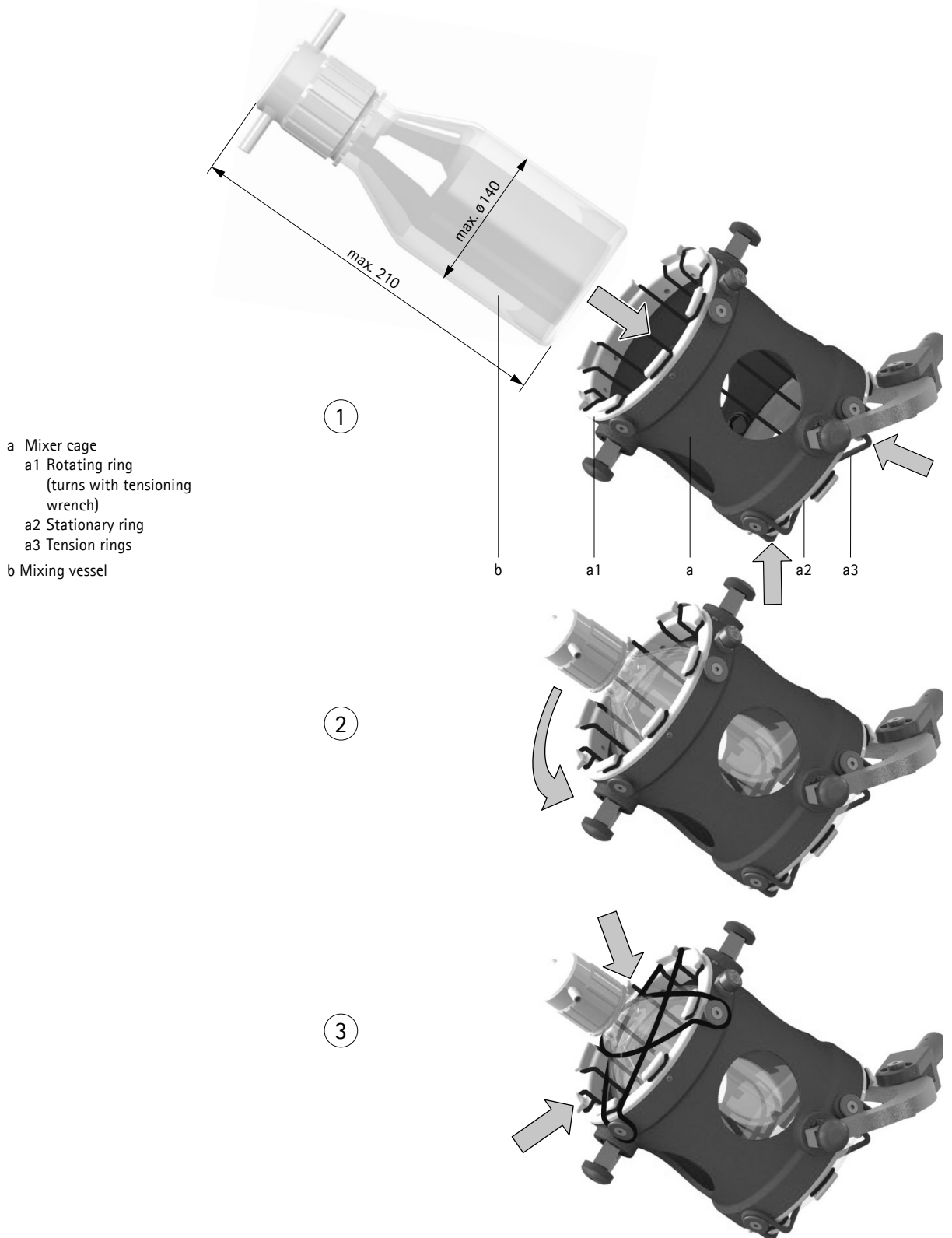
**Data sheet**

Inversina 2L

0540-08a TB/Reg. 11

4/5

**Loading mixing cage**



**Data sheet**

Inversina 2L

0540-08a TB / Reg. 11

5/5

Details for ordering	Part no.
<b>Inversina (without mixing vessel)</b>	
230 VAC	01297.1
110 VAC	01297.3

Options	
<b>Mixing vessel (PET)</b>	
1.5L	54180
2L	54181

Spare parts	
Tension rings (12 pcs.)	50980
Tensioning wrench	31835
Electric fuses (2 pcs.)	51230
Carbon brushes for motors (4 pcs.)	51228

\* on request